

T100 Series

Lift Sliding Window

Crossing borders and exploring freedom



Super smooth sliding window



NFRC Product Certificate of Authorization

| | | | |
|-------------------------|--|-------------------------|---------------------------------------|
| Manufacturer: | Zhejiang Lokabo Intelligent Technology Co., Ltd. | Product Series: | T100 Series Horizontal Sliding Window |
| Street: | 26 East Yinxian Avenue | Product Type: | HSXX |
| City/State/Zip: | Ningbo, China 315113 | | |
| Simulation Lab: | SQCT | Test Lab: | TQCT |
| Sim Report #: | QCT-SIM-12683.01 | Test Report #: | QCT-TH-12683.01 |
| Sim Report Date: | 10/28/2024 | Test Date: | 11/06/2024 |
| Revised Date: | | Revised Date: | |
| Auth. Ratings: | U-Factor, SHGC, VT, CR, Air Leakage | Test Method: | NFRC 102 |
| Procedural Year: | 2023 | Procedural Year: | 2023 |

Initial Certification Date: 01/23/2025

Re-Certification Date:

Expiration Date: 11/06/2029

CPD Product Line Number: ZLI-M-1

http://search.nfrc.org/search/cpd/cpd_search_detail.aspx?cpdnum=ZLI-M-1

Product Number Range: 00001-00001 to 00009-00001

Comments:

Air Leakage Rpt: QCT-AIR-12683.02

I hereby certify that all requirements for NFRC Certification Authorization have been met and that the above information is true and correct, to the best of my knowledge.

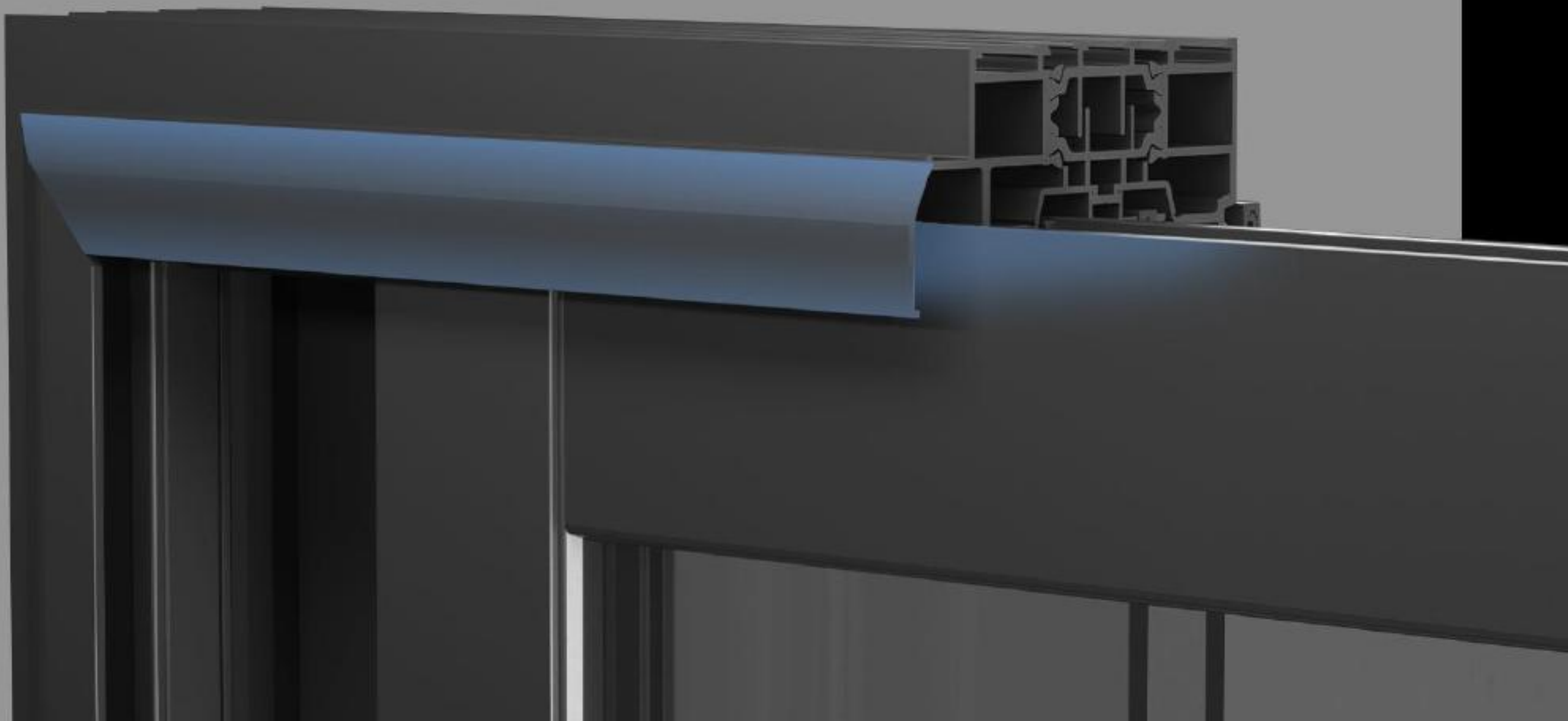
Authorized IA Signature:

LOW CARBON



Create a comfortable life

Frame Simple

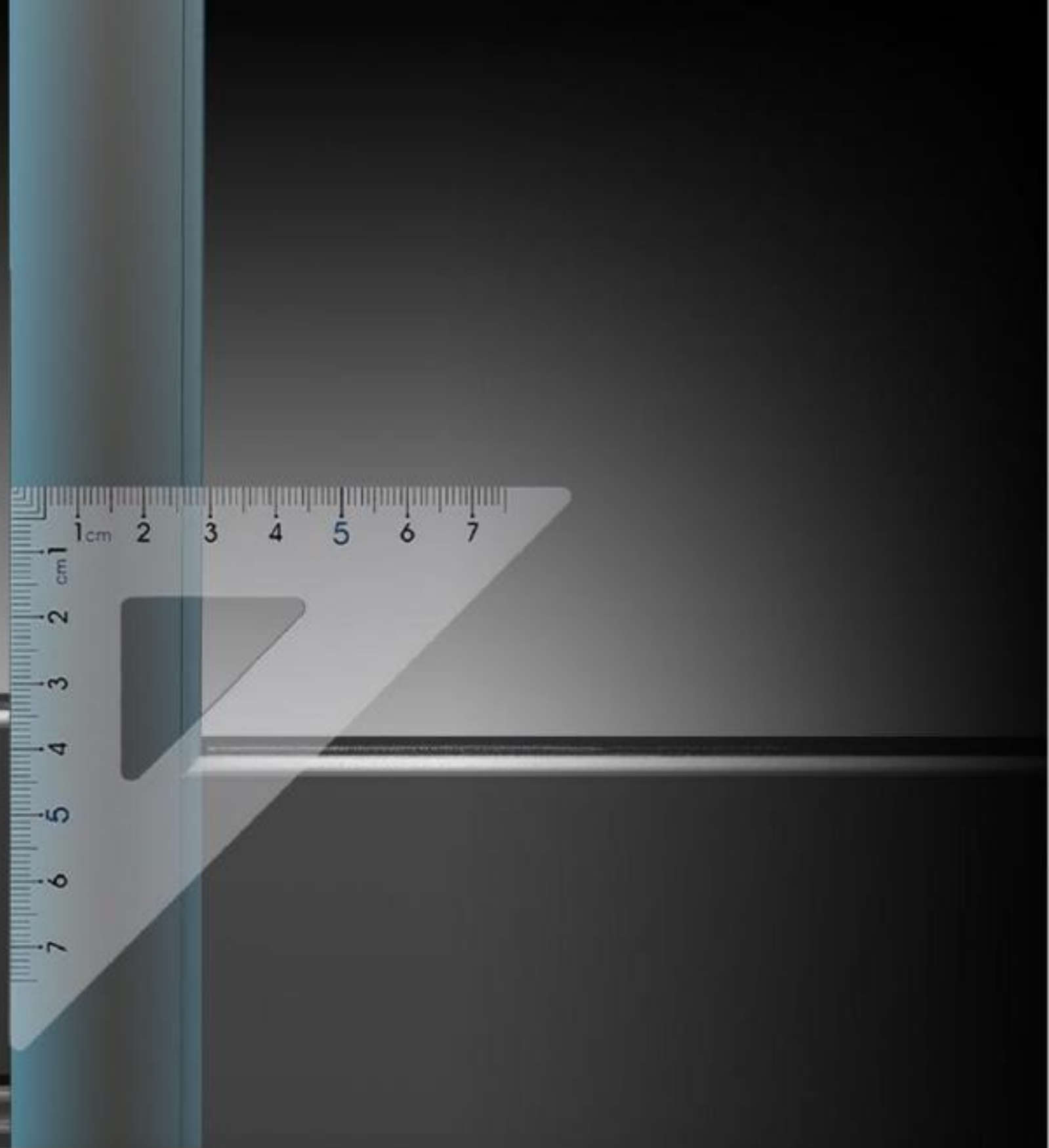


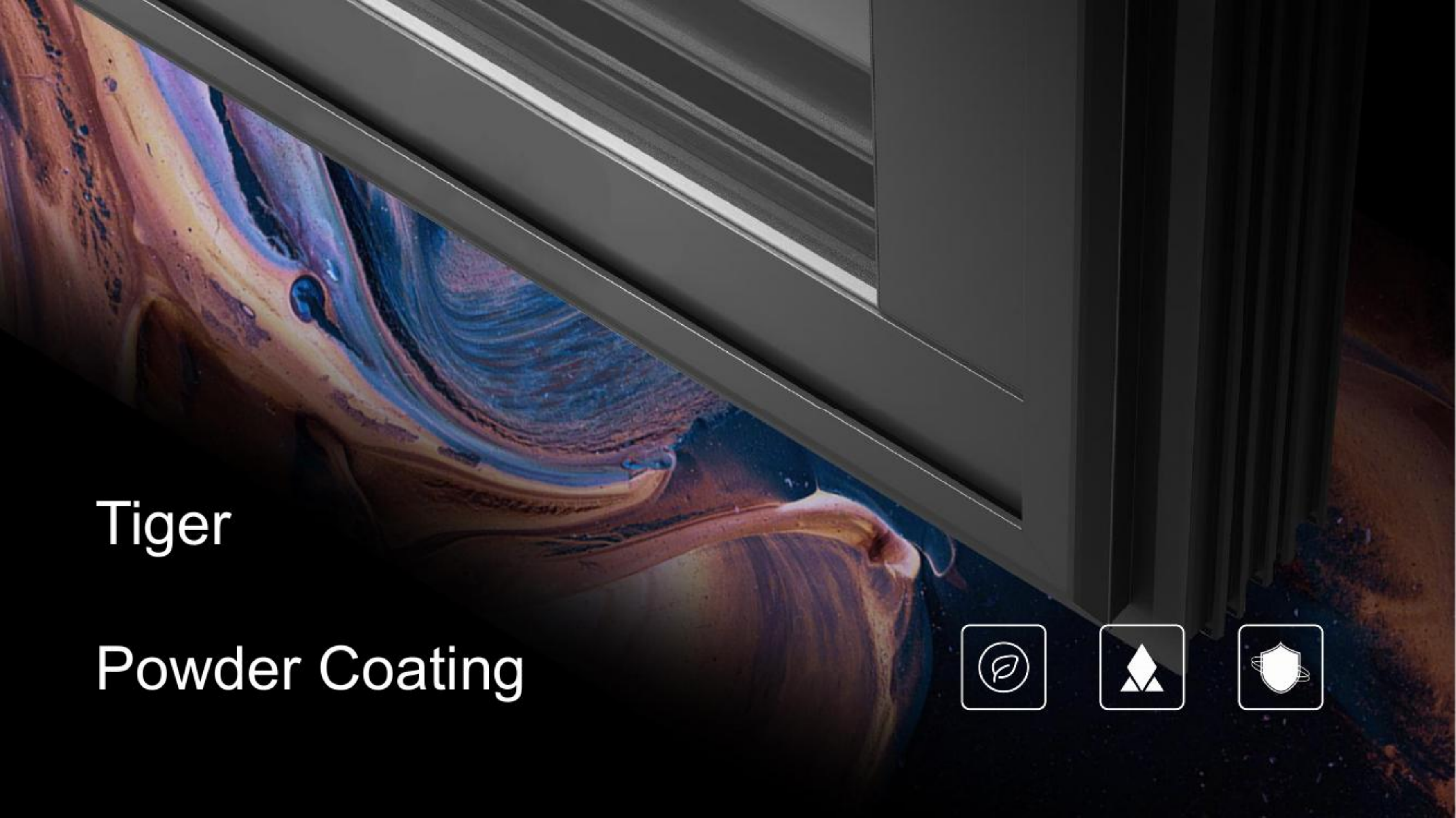
The frame fan is simple
and beautiful

Overlap

29mm

Slim Big View





Tiger

Powder Coating

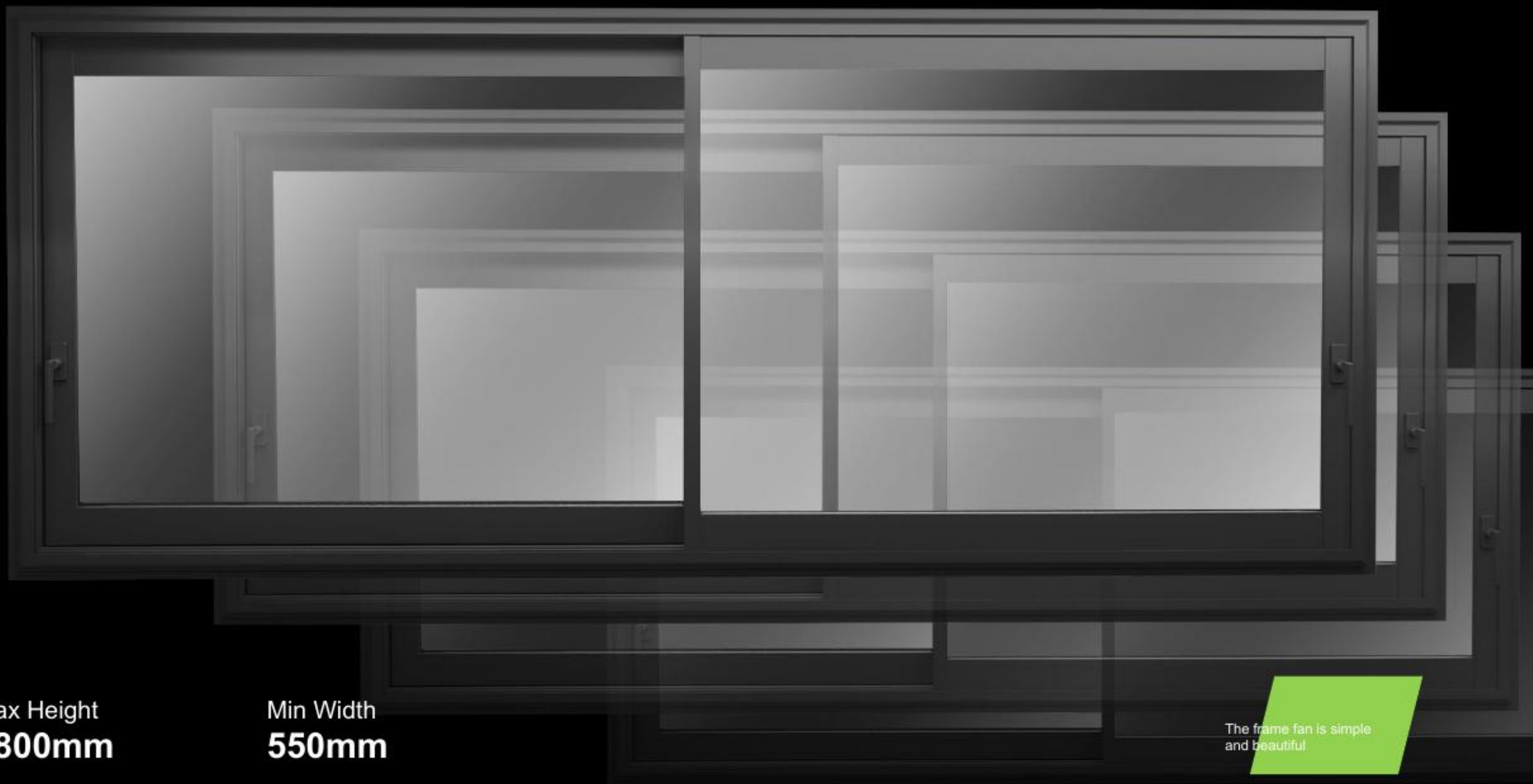




42mm

A 3D perspective rendering of a multi-layer printed circuit board (PCB). The board is dark grey or black and features a complex layout of copper traces and pads. It is shown in a cutaway view, revealing multiple layers. The board is rectangular, with a smaller section on top that has a trapezoidal shape. The dimensions are indicated by white text: '42mm' for the width of the top section and '92mm' for the total width of the board.

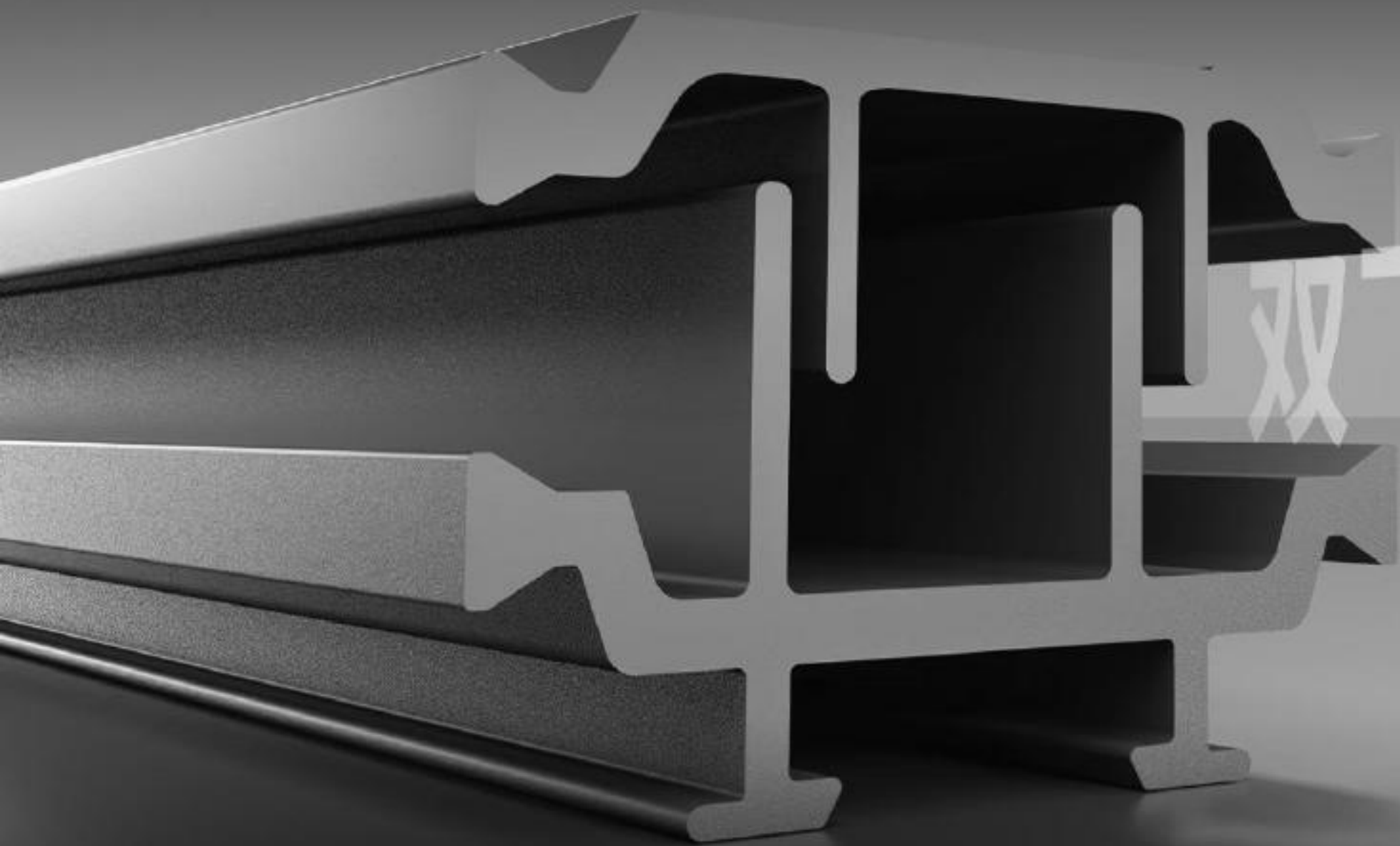
92mm



Max Height
2800mm

Min Width
550mm

The frame fan is simple
and beautiful



双飞翼隔热条

Flying Wing Insulating Strip

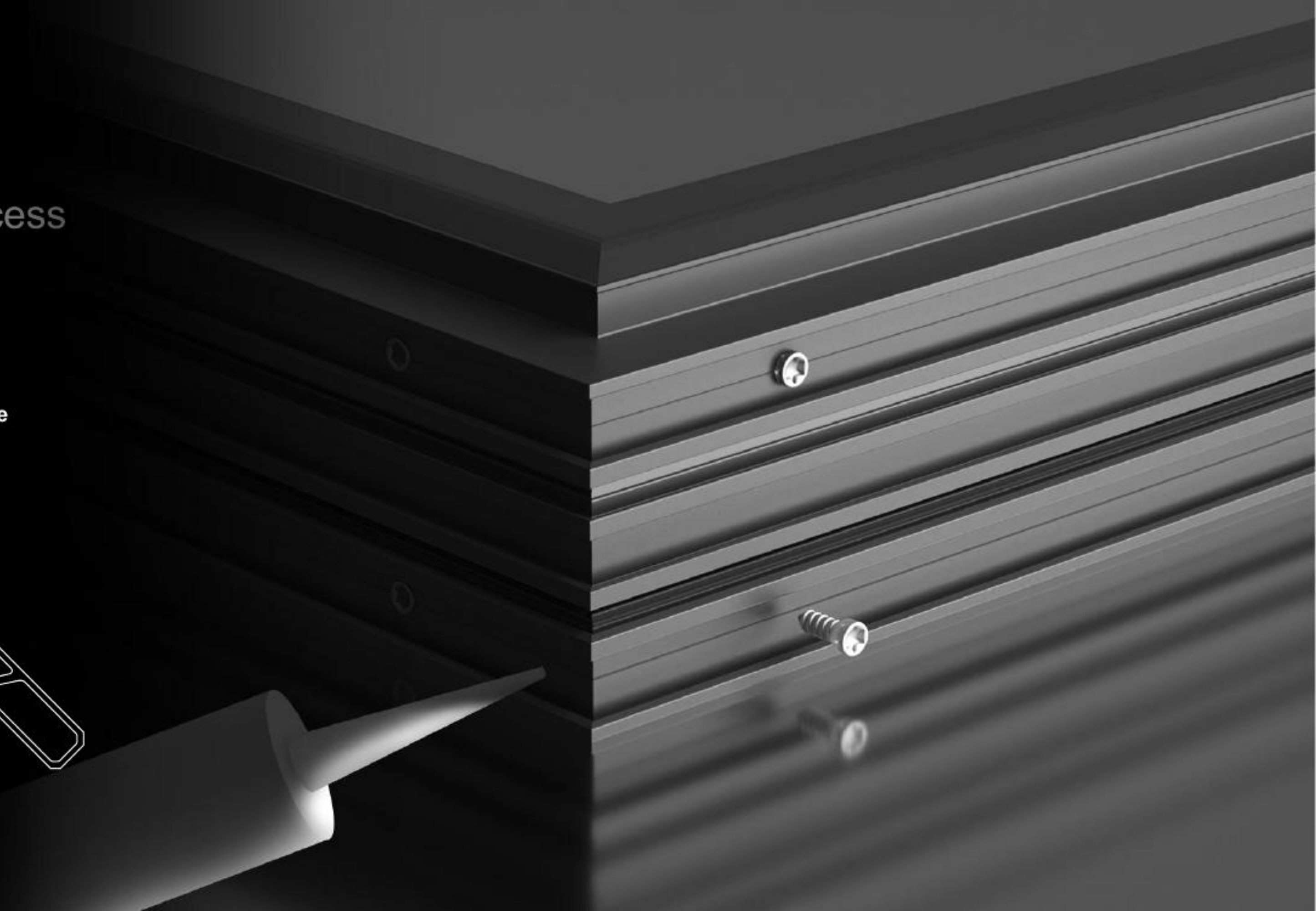
Corner process

45 Degree Assembly

Germany Weiss Glue



Die Casting
Corner





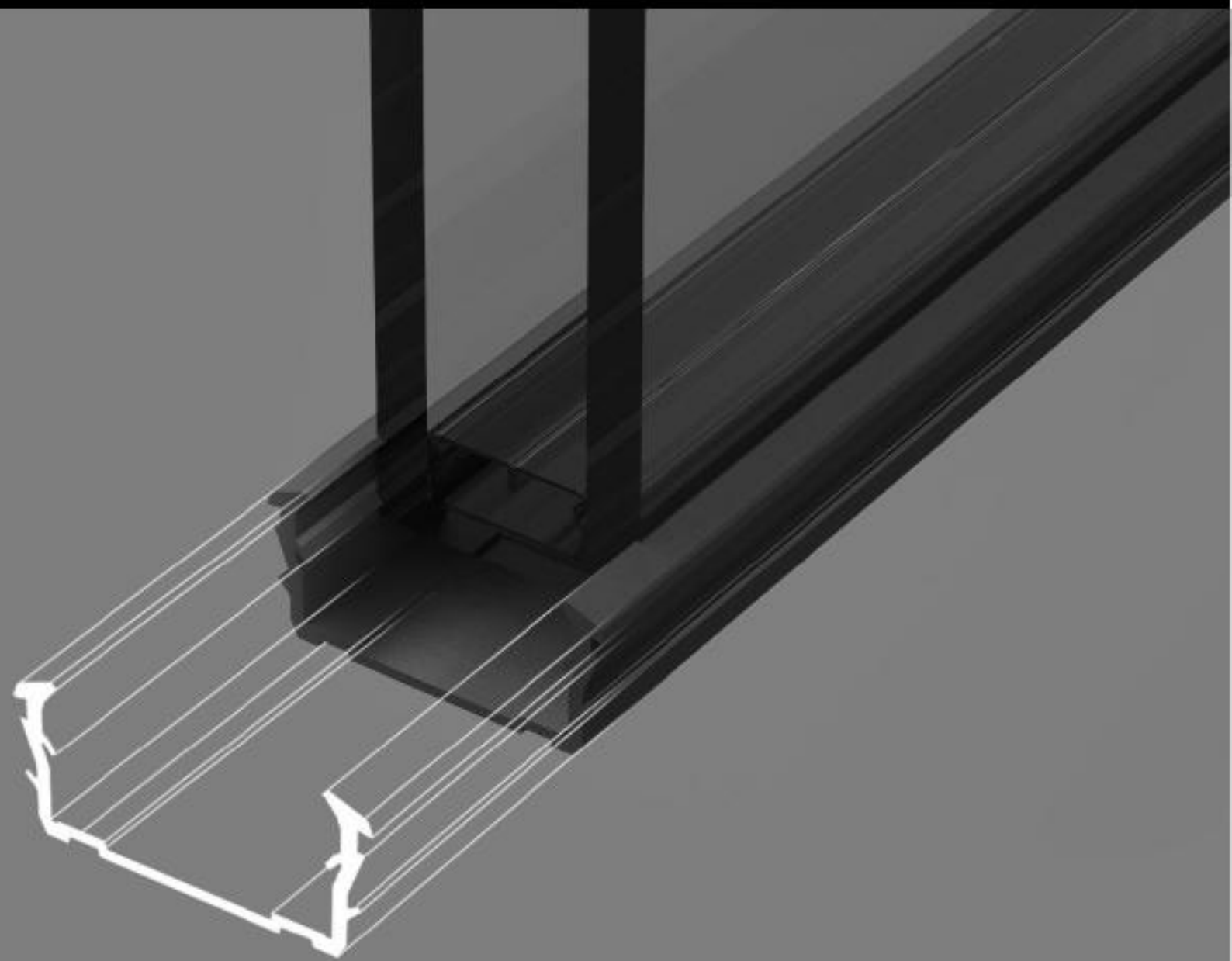
Force
5T



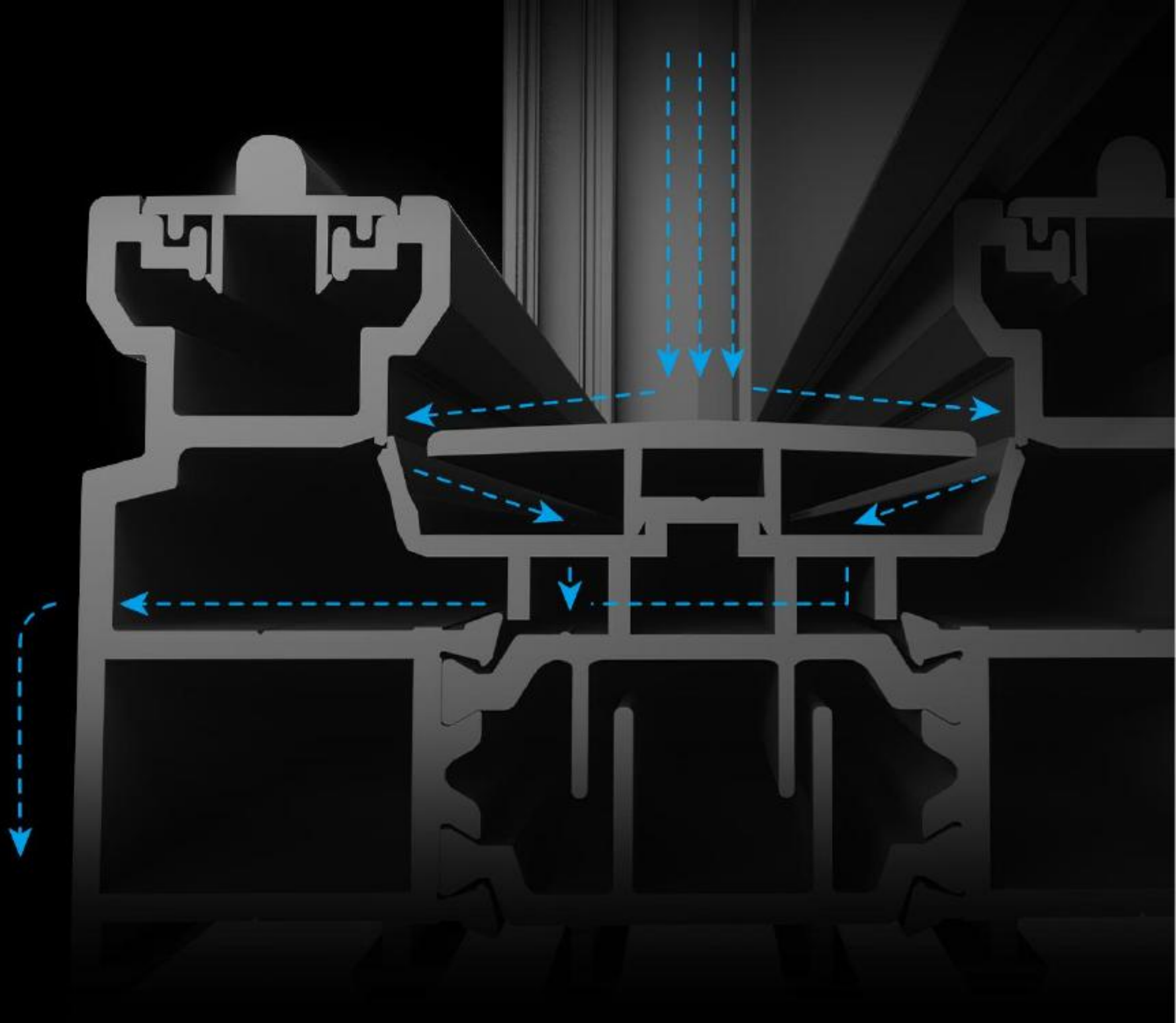
Strengthen
/Sealing

Soft Hard Coextrusion

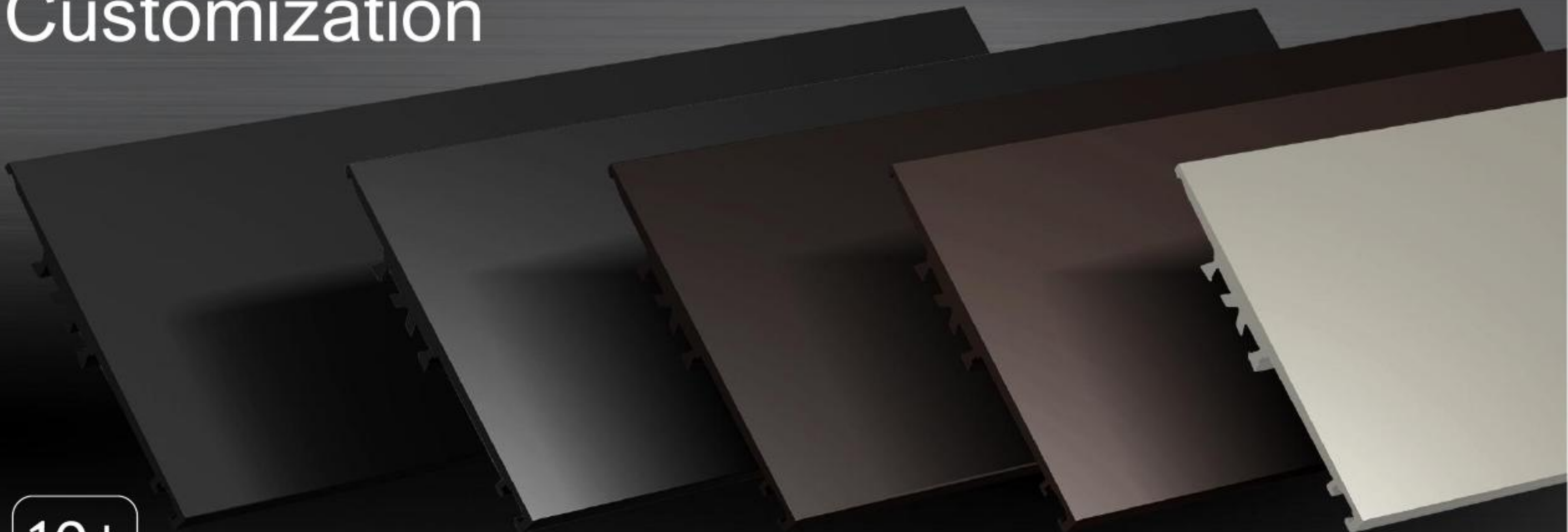
Glass Protection



Drainage System



Color Customization



10+
COLOR

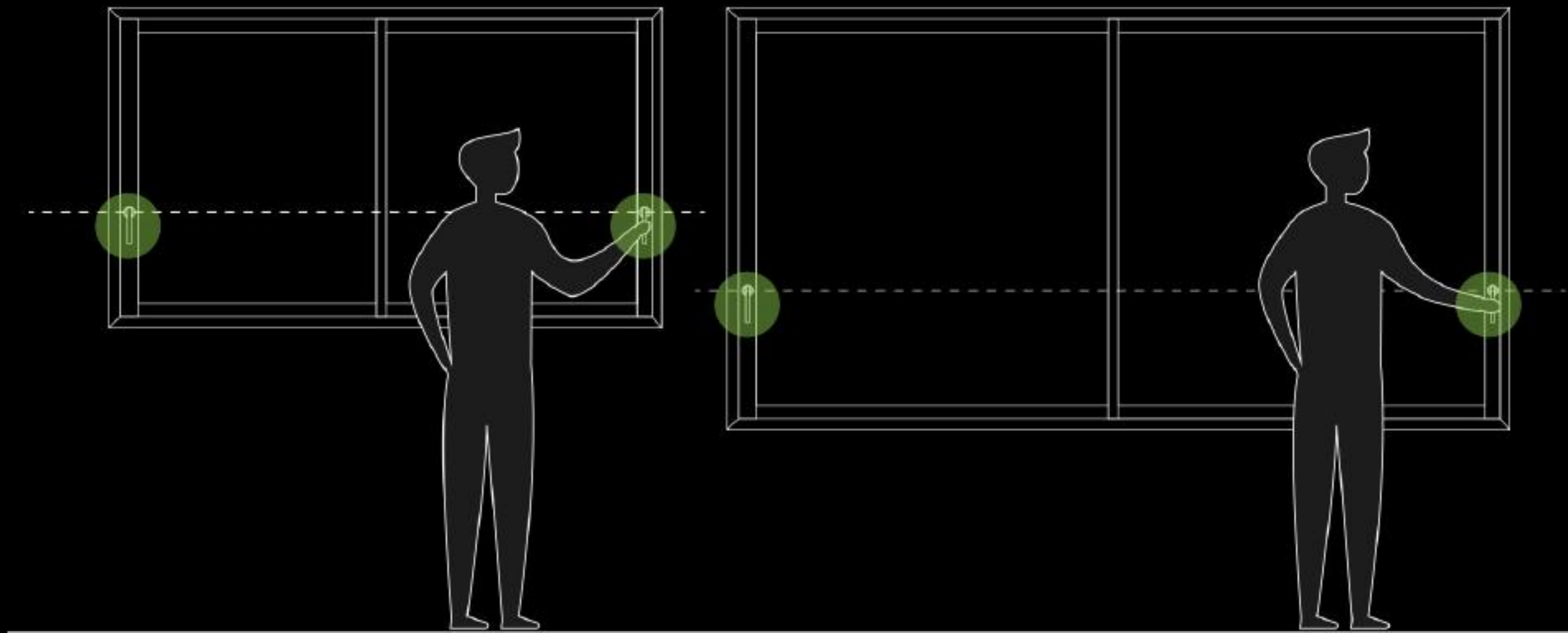


Durable Handle

30 Years Lasting



Height Customization



Glass Fence Customization

—



Cases



Suitable for Bedroom, Living Room, Studyroom, Balcony, Kitchen, Bathroom





Parameters



| | |
|------------------|--|
| Profile | Thickness \geq 1.8mm; TIGER Powder Coating |
| Frame / Sash | Frame Depth: 92mm, Sash Width: 42mm |
| Min. Width | 29mm |
| Glass | 5+19A+5 / 5+12A+5+12A+5 IG / Optional |
| Hardware | LOKABO Custom Handle Force 170KG |
| Insulating Strip | 34mm Flying Wing Strip |
| Assembly | Die Casting Corner + Screw / Weiss Glue |



sales@lokabo.com